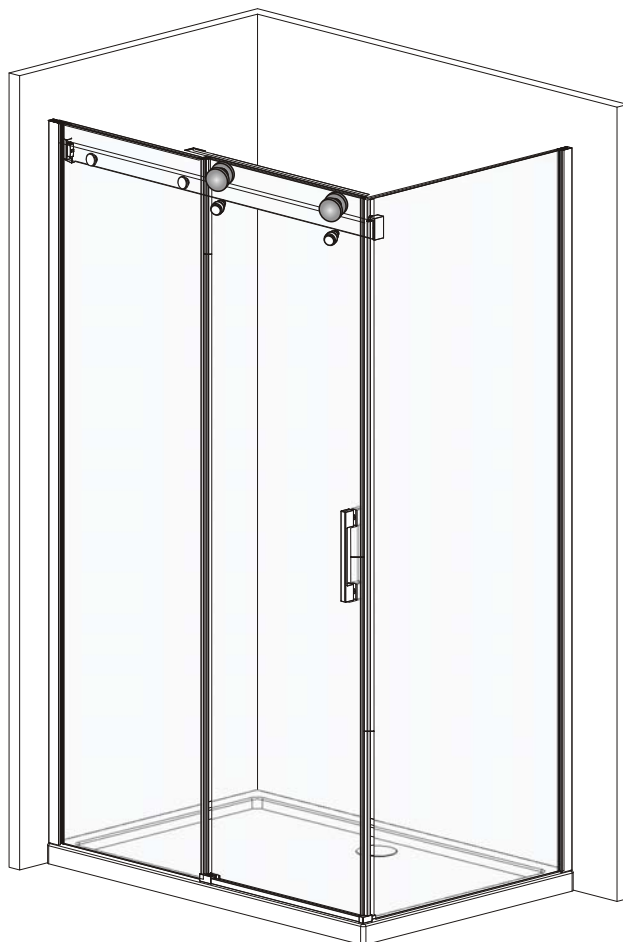


| | |
|-----|--------------------------------|
| D | Montageanleitung |
| E | Mounting instructions |
| HR | Naputci za montažu |
| SLO | Navodila za montažo |
| HU | Szerelési útmutató |
| RO | Instructiuni de montaj |
| CZ | Montážní návod |
| SK | Montážní návod |
| BG | Инструкции за инсталиране |
| PL | Instrukcja instalacji |
| GR | Οδηγίες Εγκατάστασης |
| IT | Istruzioni per l'installazione |



SANOTECHNIK
Handelsgesellschaft m.b.H.
Industriestraße 5
A-2752 Wöllersdorf
Tel.: +43 2622 / 421 93 0
Fax: +43 2622 / 421 93 6
office@sanotechnik.at
www.sanotechnik.com

Symbol foto

Size: 800x1200x1950mm
900x1400x1950mm

201506



SANOTECHNIK Hungária Kft.
MAGYARORSZÁG
Nagytétényi út 112
H-1222 BUDAPEST
Tel.: (+36 1) 424 06 70
Fa : (+36 1) 424 06 79
info@sanotechnik.hu
www.sanotechnik.com



SC Sanotechnik COM
RUMĂNIEN S.R.L
Tâncăbesti, DN 1, KM 26,5
Com. Snagov, jud. Ilfov
Tel.: +40 21 350 13 43
Fax: +40 21 350 13 44
office@sanotechnik.ro
www.sanotechnik.com



SANOTECHNIK d.o.o.
SLOVENIJA
Stritarjevca ulica 24
SI-2000 MARIBOR
Tel.: +3862/4213350
Fax: +3862/4213358
info@sanotechnik.si
www.sanotechnik.com

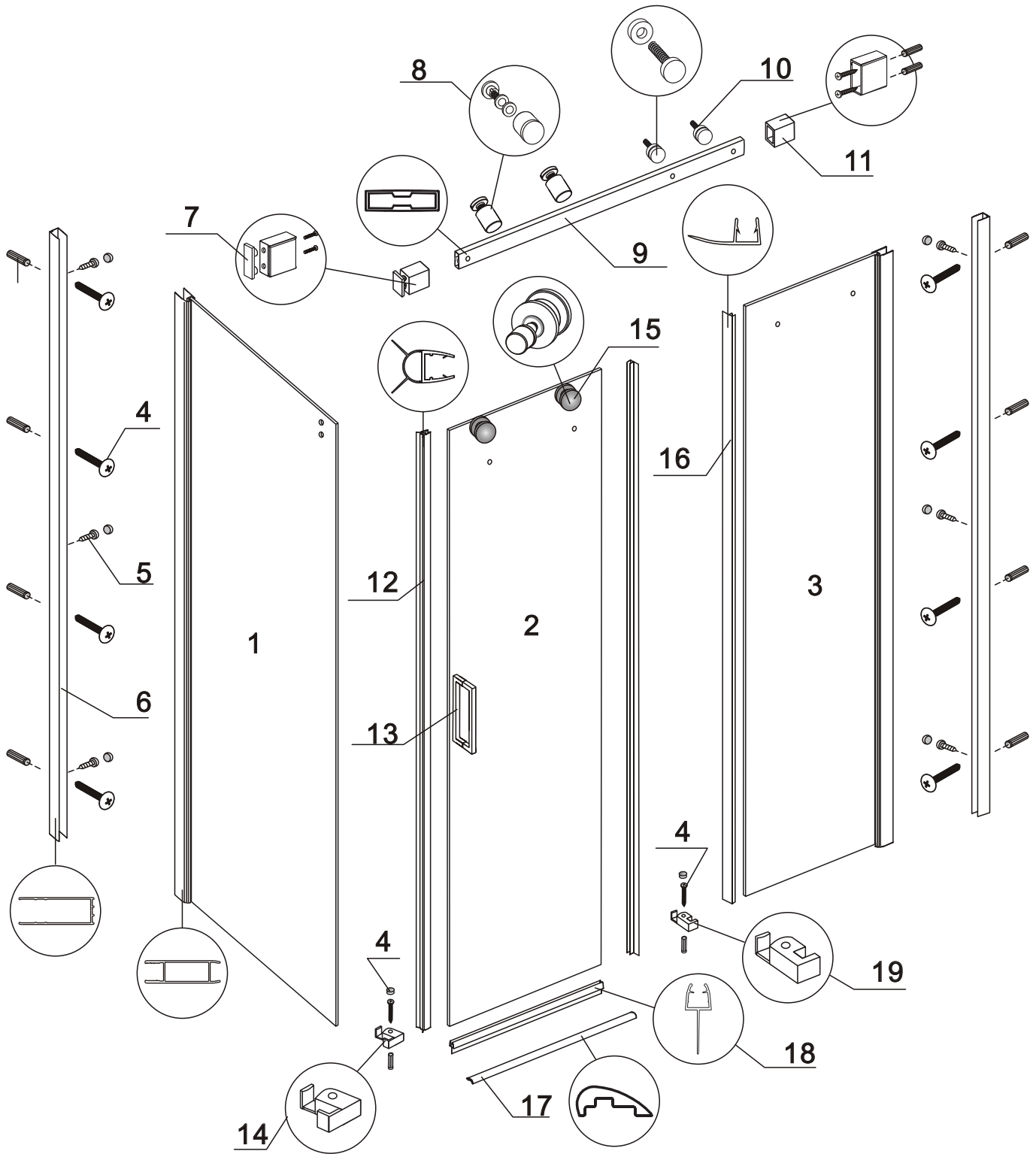


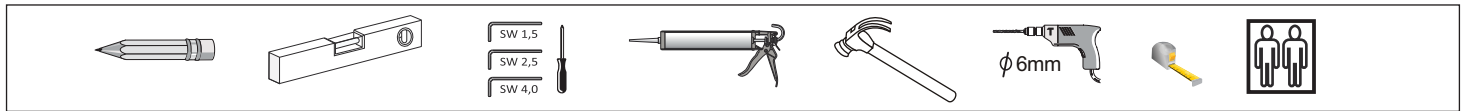
Sanotechnik Bulgaria Ltd.
BULGARIA
3, Georgi Benev St.
BG-4003 Plovdiv
Tel: +359 32 961101
Fax: +359 32 961102
office@sanotechnik.bg
www.sanotechnik.com



EXPORT-IMPORT SANITARES
TECHNIC S.R.O
Kaprova 42/14
CZ- 110 00 Praha 1 – Stare Mesto
T: +421/37 6426246
Fax: +421/37 64246 246
E: info@eistcz@gmail.com
www.sanotechnik.com

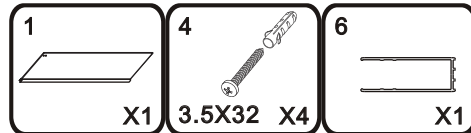
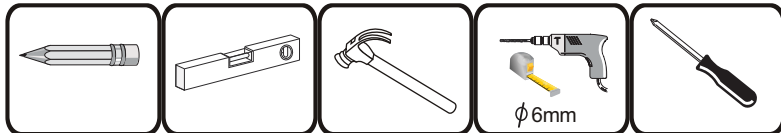
◆ Assembly Drawing



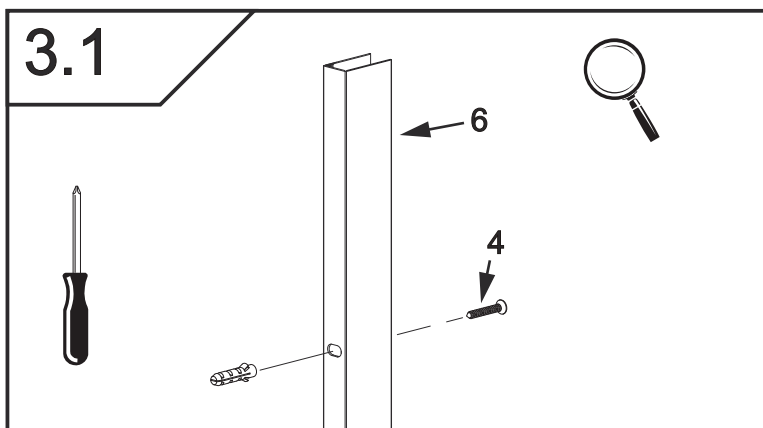
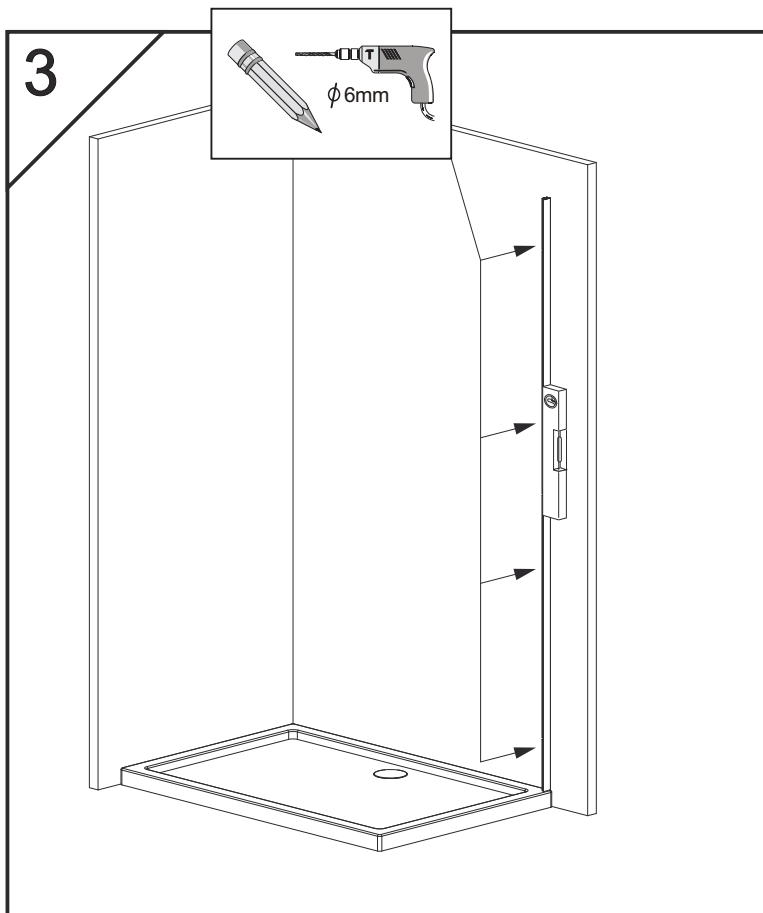
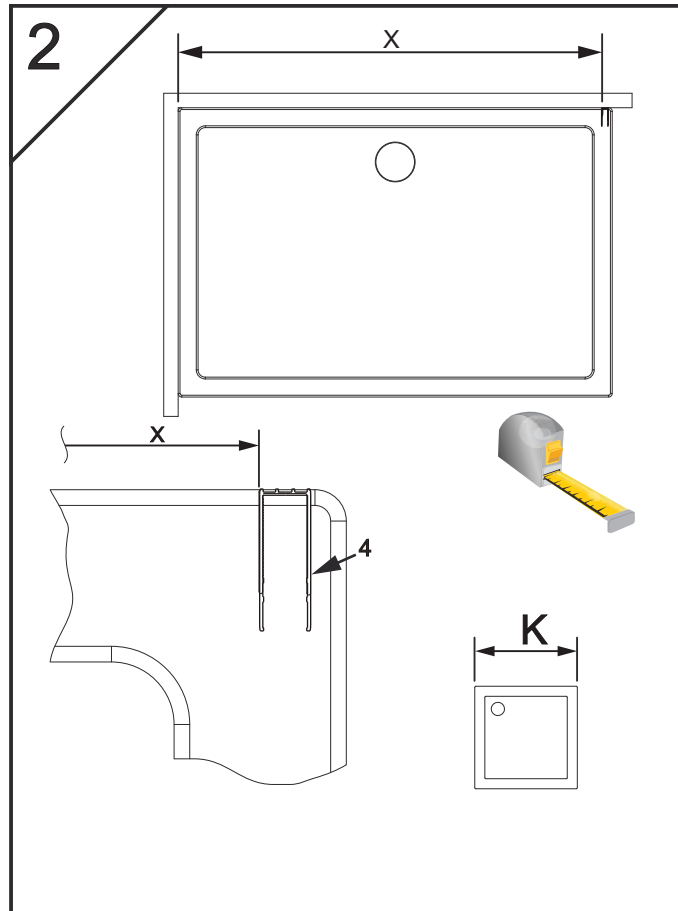
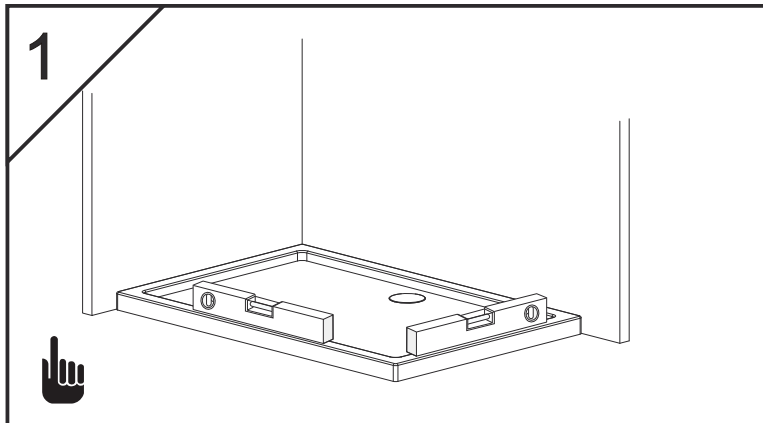


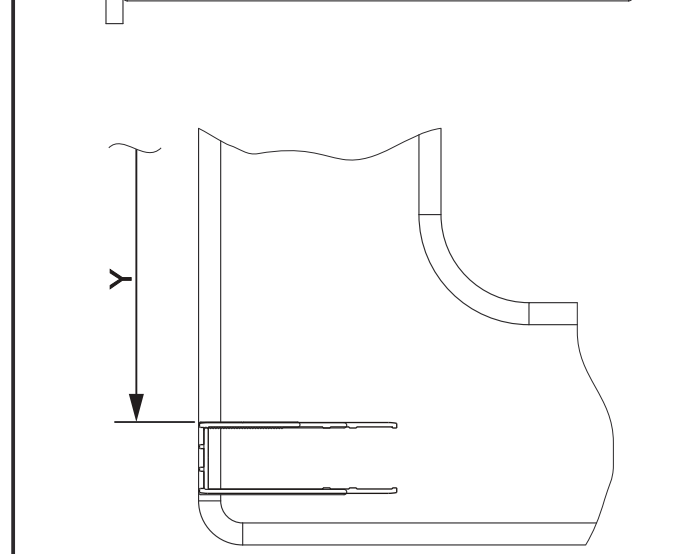
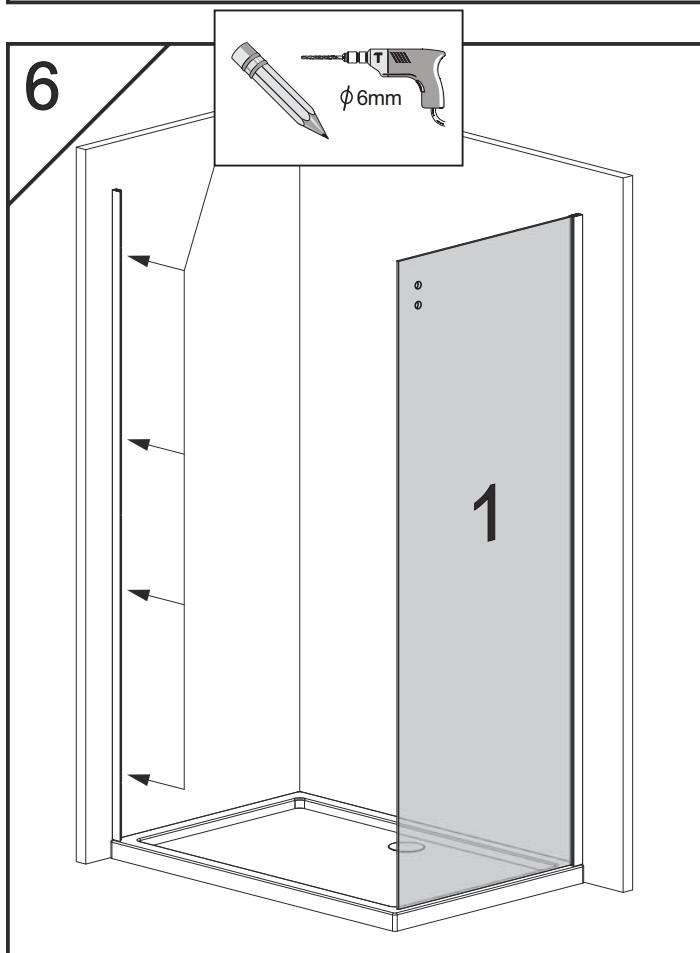
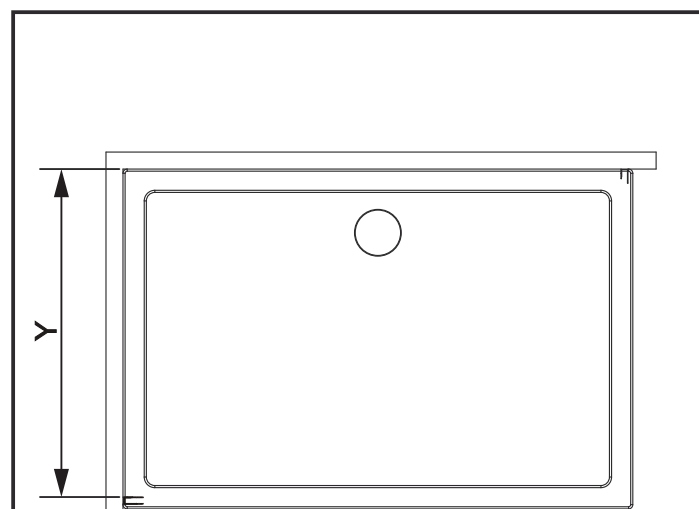
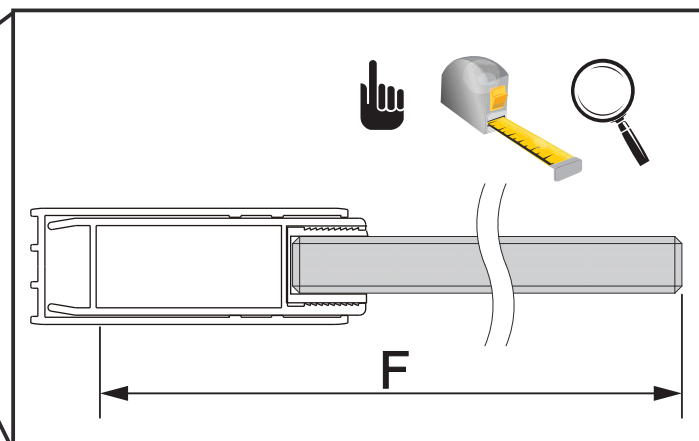
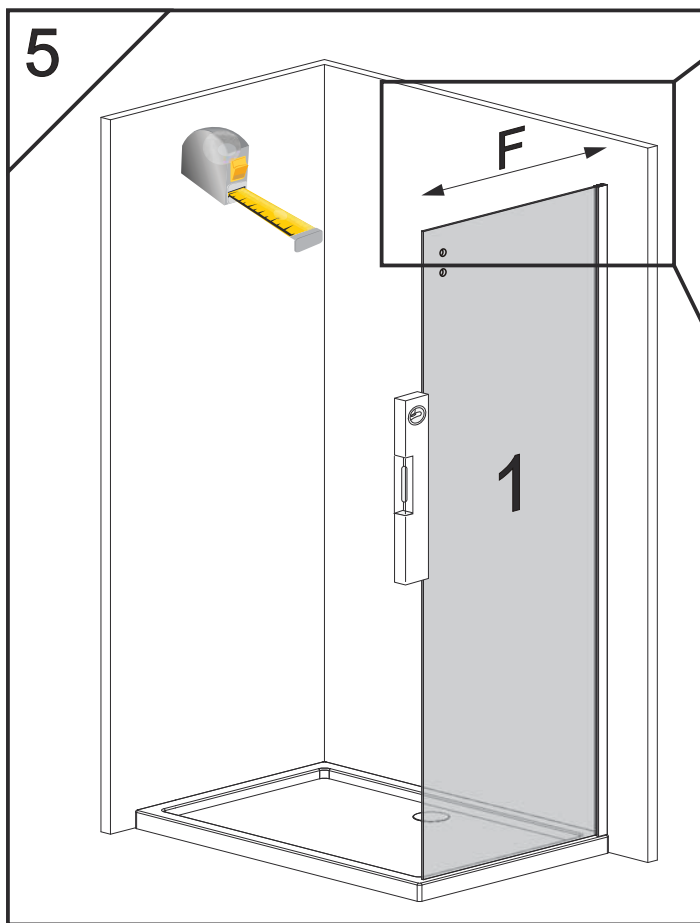
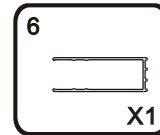
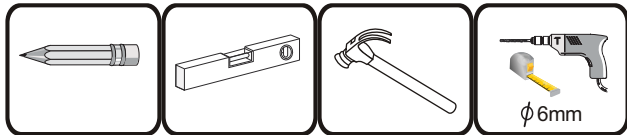
◆ **Box Contents**

| | | |
|----|--|-----|
| 1 | | X1 |
| 2 | | X1 |
| 3 | | X1 |
| 4 | | X12 |
| 5 | | X6 |
| 6 | | X2 |
| 7 | | X1 |
| 8 | | X2 |
| 9 | | X1 |
| 10 | | X2 |
| 11 | | X1 |
| 12 | | X1 |
| 13 | | X1 |
| 14 | | X2 |
| 15 | | X2 |
| 16 | | X2 |
| 17 | | X1 |
| 18 | | X1 |
| 19 | | X2 |



◆ Installation Steps





$Y = F + 6\text{mm}$

